

STREAM+

- Integrated IoT Solution
- Optimized for Size, Weight & Power
- Cost Effective

STREAM+ allows end users to send and receive data via the Iridium Satellite Constellation anywhere on the planet.

The STREAM product line consists of a series of versatile low-cost Iridium transceiver packages that enable end-users with two-way connectivity over the Iridium Satellite network anywhere on the planet. STREAM+ simplifies data access by transferring user data to an Amazon Web Service (AWS) file management service. Designed for field applications with size, weight, and power constraints. The STREAM+ offers a range of industry standard protocols, features, and inputs enabling end-users with flexible integration and installation options. This versatility reduces development costs and overall time to market. Powered by the Iridium Certus 100 midband service and Iridium Messaging Transport (IMT), the STREAM+ allows users to send and receive files and messages reaching a few megabytes securely, removing the need to worry about intermittent connectivity disruptions.



Key Advantages

- Integrated solutions requiring an IP based connection via satellite
- Allows applications to send larger data amounts in shorter periods of time
- Reduces airtime cost
- Simplified integration for Iridium Certus
- API provided through serial port, power control & status lines
- Industry standard interfaces lower the overall development cost

STREAM+

MECHANICAL DESIGN

205 mm x 105 mm x 48 mm
620 g
10 Pin Panel Mount, Receptacle, Male Pins. Bayonet Lock Connector
GPS Antenna – Female SMA Connector
Iridium Antenna – Female TNC Connector
Integrated Aluminium Heat Sink
Pressure Equalizing Gore Vent

ELECTRICAL DESIGN

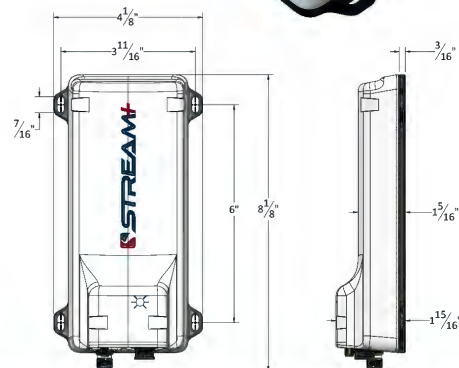
10-40V DC Supply
Protected Open Drain Outputs
30W Supply Power
LED Status Indicator
Automotive Pulse Protected
Safe Shutdown (supercapacitor)
Standby Mode Current 20 mA, at 12 V
Shutdown Mode Current 4.5 uA, at 10-40 V
Transmit & Receive Power 10 W Max Avg, 30 W Max Peak
Data speed 22 kb/s up, 88 kb/s down

FIRMWARE FUNCTIONALITY

Bootloader
Serial Communication
Logging
GNSS
OTA Communication
IMT Support
Low Power Mode

PHYSICAL PRODUCT

uController	Controls file and message transfers Drives the status lines Provides a simple JSON API through the serial port
Power Control Line	Allows an external controller to switch the device on/off
Status Lines	Message/File Inbox state Message/File Outbox state
Hardware Interfacing	RS232 interface RS485 interface (half-duplex)
Flash Memory	Extra storage for large file transfers
GNSS	GNSS to support stand alone telemetry solutions External active antenna Open drain pulse per second Iridium Antenna External passive antenna



HEAD OFFICE

MetOcean Telematics
11 Thornhill Drive
Dartmouth, Nova Scotia
Canada B3B 1R9
sales@metocean.com

+1 902 468 2505

UNITED STATES

MetOcean Telematics
1750 Tysons Blvd
Suite 1500, Office 1547
McLean, VA 22102
sales@metocean.com

+1 844 728 2868

UNITED KINGDOM

MetOcean Telematics UK
Titchfield Lane
Wickham, Fareham
UK PO17 5NZ
sales@metocean.com

+44 1489 888 555

CANADA

MetOcean Telematics
2 Gurdwara Rd Suite 608
Ottawa, Ontario
Canada K2E 1A2
sales@metocean.com

+1 613 702 3196

v2_0622